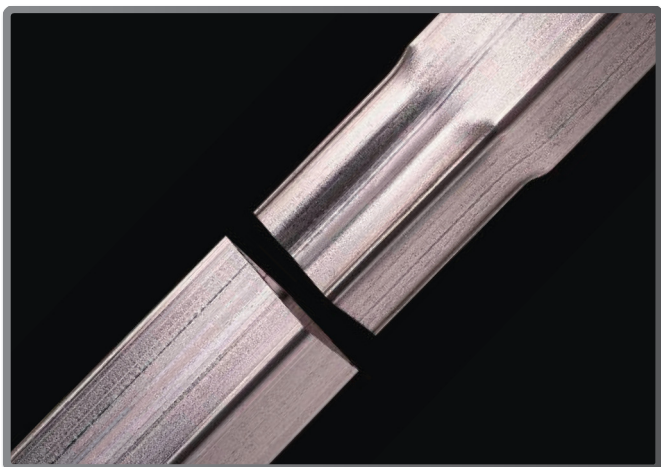


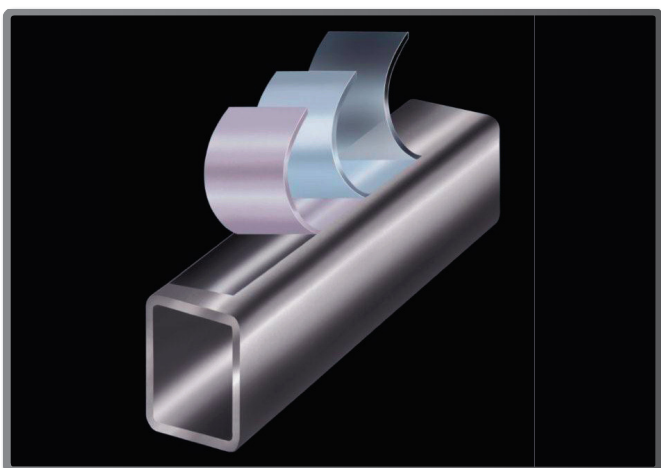
Why Tubular Steel?

Why Tubular Steel?



Triple Layer Protection

This triple layer of corrosion protection – zinc bonding, conversion coating, and clear polymer coating – provides a smooth, shiny end product appearance combined with strength and durability. Salt spray tests prove this triple coat sealing process resists rust two times longer than any pre-galvanized or electroplated tubing product. And let's not forget the obvious termite and rot resistance advantages over wood.



Smooth Mandrel Bend

VersaTube™ uses a mandrel bending system for a cleaner look and a stronger bend transition. Framing systems for most primary structures and complete packaged kits include frame components that feature mandrel bends.



Roof Pitch

All Steel Interlock Sheds[®] have a standard 14 degree pitch.

Snow & Wind Loads

Steel Interlock Sheds provide engineering to support council requirements for New Zealand's challenging weather conditions.